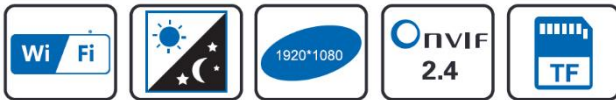


# JVS-DA230

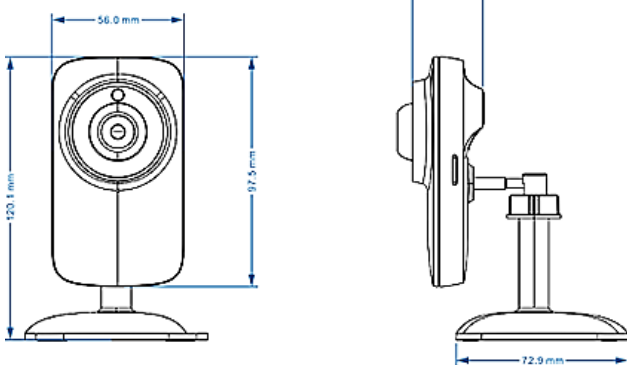
2.0MP Wi-Fi IP Camera



## Key features

- Network plug & play - no need for DDNS, no need for port mapping and no need for static IP.
- Previewing/playback resolution 1920\*1080
- With IR LED Lights and IR-CUT, monitoring day and night
- Supports iPhone, iPad, Android Phone remote viewing
- Supports two-way talk
- Supports Wi-Fi

## Dimension (mm)



## Specifications

Video	
Image Sensor	1/2.7" 2.0MP CMOS
Max Resolution	Up to 1920×1080
Effective Pixels	2.0 MP
Compression Standard	H.264
Maximum Frame Rate	Up to 15 fps
Bitrate	40Kbps~6Mbps
Illumination	0Lux (IR ON)
Lens	
Interface Type	M12
Lens	Fixed 4mm
Viewing Angle	H: 87.4°, V: 47°, D: 104°
Focusing System	Fixed
Function	
Privacy Masking	Supports 4 zone masking
Exposure Mode	Auto
Automatic Gain Control	Auto
White Balance	Auto
Motion Detection	Support
Day-Night Vision	IR-CUT, Supports color/black switch
Remote Control	System Management, Stream Management, Alarm Management, Network Management.
Detection Alarm	E-mail Alert, Client-end Alarm
Two-way Talk	Support
Storage	Up to 128GB
Interface	
Audio Input	1 Channel Internal MIC
Audio Output	1 Channel Internal Speaker
Ethernet	10M/100M, RJ45
TF Card	Support
Network	
Wi-Fi	Wi-Fi(IEEE802.11b/g/n)
Stream	Dual stream
Protocols	HTTP, TCP/IP, ICMP, UDP, SMTP, DHCP, DNS, PPPOE
General	
Network Transmission	Embedded with CloudSEE P2P Transmission Protocol
IR Light	10 pcs LED Lights
IR Distance	Up to 10 Meter
Humidity	Rh 10%~90%
Working Temperature	-10℃~55℃
Power Supply	DC5V/1A
Consumption	≦ 4W
Color/Material	White/ABS+PC
Dimension(WxHxD)	78×120×72.9 (mm)
Weight(g)	130
Installation	Wall, Ceiling, Desktop